

BRIK Series



3.5" HDD / 6 COM Ver.



31525D-V4G / 31525U-V4U Back Panel



31525D-C4G / 31525U-C4U Back Panel



6 COM ver. (31525A)

Compact design for 3.5" SBC, excellent cooling function

Application :
Network device, VPN, Firewall

Optional Accessory :
. Wall mount kit

Technical Data :

. Dimension	52 H x 187 W x 130 D mm (2.5" HDD ver.)	. VESA Mounting	75 x 75 mm
. Dimension	80 H x 187 W x 130 D mm (3.5" HDD / 6 COM ver.)	. Weight (Incl. M/B)	1.3 Kg (2.5" HDD ver.)
. Material	Aluminum		1.8 Kg (3.5" HDD / 6 COM ver.)
. Color	Blue & Silver	. Storage Space	2.5" HDD or 3.5" HDD



BRIK Chassis without top-cover

M/B information: (Please refer to M/B specification)

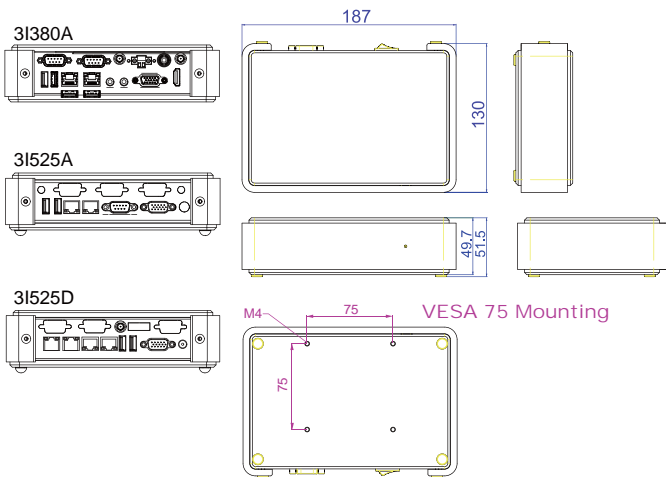


CPU Type	M/B Model	VGA	DVI / HDMI	COM	LAN	USB	Audio	Operation	
								mSATA / CF Card	HDD
Intel Bay Trail - I E3845 / E3815	31380A	1	HDMI	2	2	4	Line-out / Mic-in	60°C	50°C
Intel Atom D525	31525A	1	-	1	2	2	Optional	60°C	50°C
	31525D / 31525U	1	-	Optional 1	4	2	-	60°C	50°C
VIA Nana E-Series	3V 900A	1	HDMI	-	1	2	Line-out / Mic-in	60°C	50°C
Intel Atom D525	31525A	1	-	6	2	4	Line-out / Mic-in	60°C	50°C

More Functions				
3G	Wi-Fi	GPS	1 ~ 4 Video-IN	COM
DIO	2nd Display Port	Optional LAN	Parallel Port	DC +9V to +36V

The above available functions outline the possibility with system, for more information please contact us.

Dimension: 2.5" HDD ver.



Dimension: 3.5" HDD / 6 COM ver.

